

# In-Line Filter DWFF110

(8-03-110-100k, 8-03-110-040K, 8-03-110-010k)



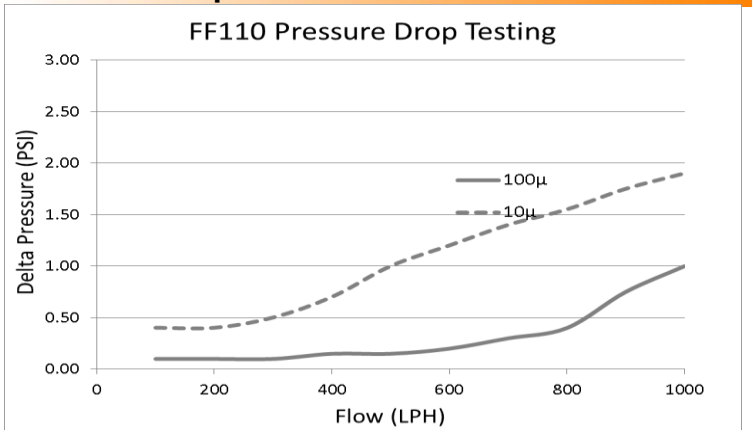
DW fuel filters are compatible with a wide range of fuels including pump gas, race gas, MTBE, ethanol, methanol, and diesel. DW recommends a maximum service interval of 12 months or 12,000 miles. Shorter service intervals are recommended with harsher conditions and corrosive fuels.

- Stainless Steel Mesh 10, 40 or 100 Micron
- -10AN ORB Inlet/Outlet
- 110mm Length
- Universal Fitment

## Specifications

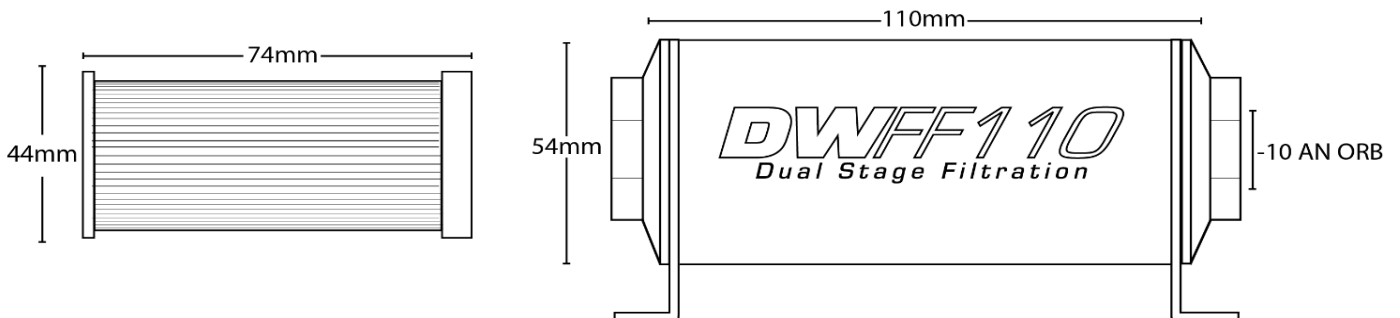
<b>Weight</b>	10.8 oz (305 grams)
<b>External Materials</b>	Anodized T6061 Aluminum
<b>Inlet Fitting</b>	-10 AN ORB
<b>Outlet Fitting</b>	-10 AN ORB
<b>Sealing</b>	Viton O-rings
<b>Mechanical Filtration</b>	304 Stainless Steel Mesh
<b>Magnetic Filtration</b>	35mm Neodymium Ring
<b>Flow Rating (10<math>\mu</math>)</b>	500 LPH
<b>Flow Rating (100<math>\mu</math>)</b>	1,000 LPH
<b>Avg Surface Area</b>	40 sq in

## Pressure Drop



LPH	200	300	400	500	600	700	800	900
10 $\mu$	0.40	0.50	0.70	1.00	1.20	1.40	1.55	1.75
100 $\mu$	0.10	0.10	0.15	0.15	0.20	0.30	0.40	0.75

## Dimensions



THIS PRODUCT MAY BE USED SOLELY ON VEHICLES USED IN SANCTIONED COMPETITION WHICH MAY NEVER BE USED UPON A PUBLIC ROAD OR HIGHWAY, UNLESS PERMITTED BY SPECIFIC REGULATORY EXEMPTION