

# App Specific In-Line Filter

## 2005-2020 Ford Mustang

(8-05-02-010)



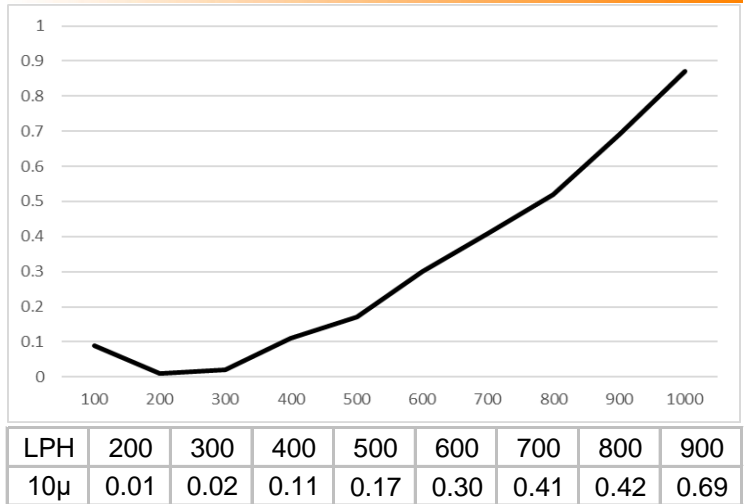
DW fuel filters are compatible with a wide range of fuels including pump gas, race gas, MTBE, ethanol, methanol, and diesel. DW recommends a maximum service interval of 12 months or 12,000 miles. Shorter service intervals are recommended with harsher conditions and corrosive fuels.

- Stainless Steel Mesh 10 Micron
- EFI Quick Connect Fittings Included
- 70mm Length
- Designed to fit 2005-2020 Ford Mustangs
- New 38 Pleet Filter Element For Increased Flow

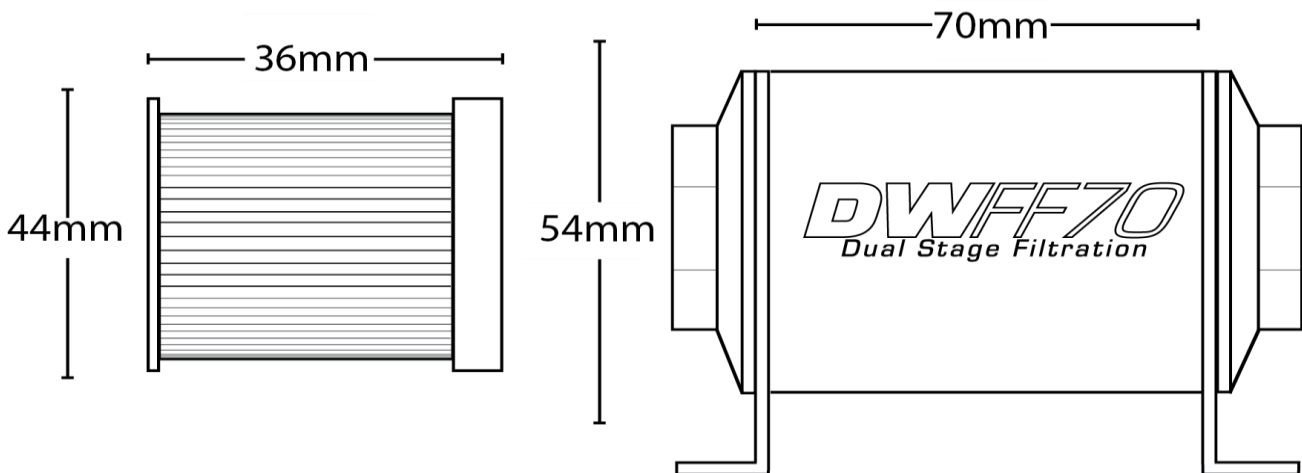
### Specifications

<b>Weight</b>	9 oz (255 grams)
<b>External Materials</b>	Anodized T6061 Aluminum
<b>Inlet Fitting</b>	5/16" Male EFI Quick Connect
<b>Outlet Fitting</b>	5/16" Male EFI Quick Connect
<b>Sealing</b>	Viton O-rings
<b>Mechanical Filtration</b>	304 Stainless Steel Mesh
<b>Magnetic Filtration</b>	35mm Neodymium Ring
<b>Flow Rating (10µ)</b>	1000+ LPH
<b>Avg Surface Area</b>	30 sq in

### Pressure Drop



### Dimensions



THIS PRODUCT MAY BE USED SOLELY ON VEHICLES USED IN SANCTIONED COMPETITION WHICH MAY NEVER BE USED UPON A PUBLIC ROAD OR HIGHWAY, UNLESS PERMITTED BY SPECIFIC REGULATORY EXEMPTION