

App Specific In-Line Filter

1993-2005 Subaru Impreza*

(8-05-03-010)



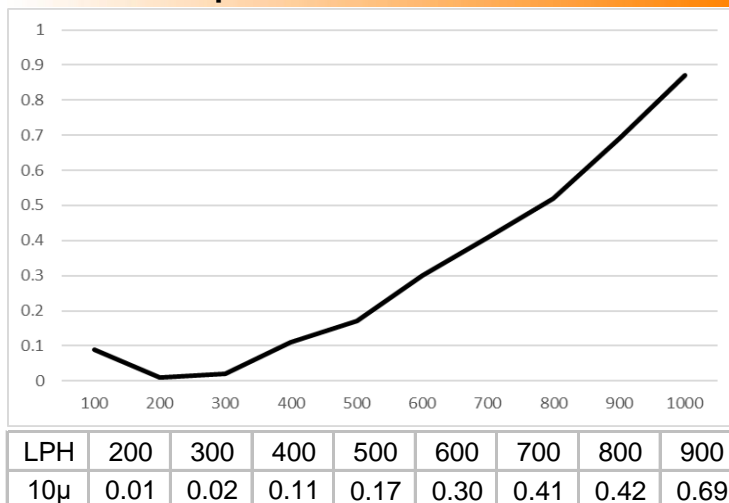
DW fuel filters are compatible with a wide range of fuels including pump gas, race gas, MTBE, ethanol, methanol, and diesel. DW recommends a maximum service interval of 12 months or 12,000 miles. Shorter service intervals are recommended with harsher conditions and corrosive fuels.

- Stainless Steel Mesh 10 Micron
- Hose Barb Fittings Included
- 70mm Length
- New 38 Pleet Filter Element For Increased Flow
- Designed to fit 1993-2005 Subaru Imprezas
*1990-2015 Legacy, and 1998-2004 Forester

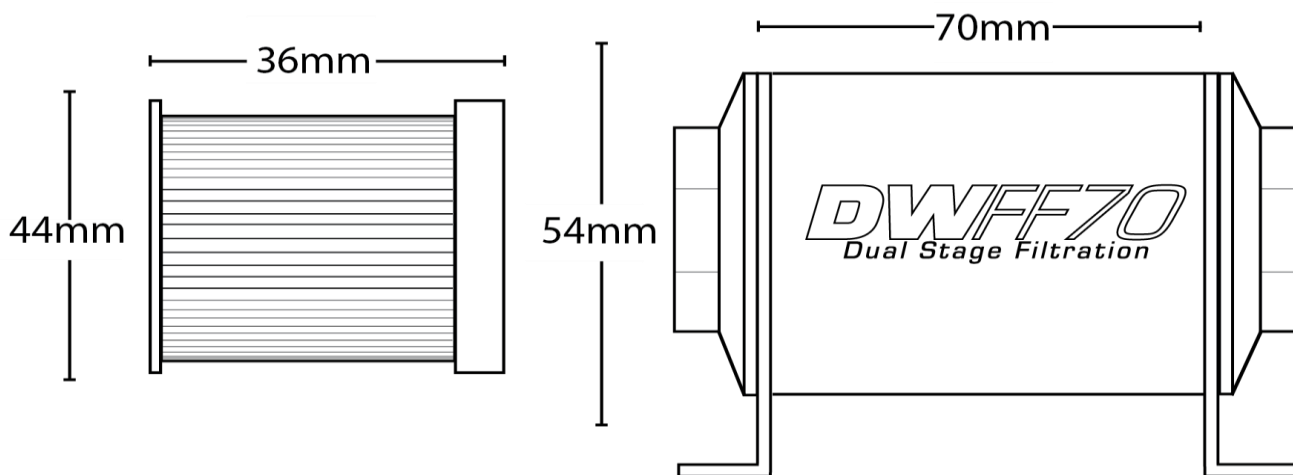
Specifications

Weight	9 oz (255 grams)
External Materials	Anodized T6061 Aluminum
Inlet Fitting	5/16" Male Triple Hose Barb
Outlet Fitting	5/16" Male Triple Hose Barb
Sealing	Viton O-rings
Mechanical Filtration	304 Stainless Steel Mesh
Magnetic Filtration	35mm Neodymium Ring
Flow Rating (10µ)	1000+ LPH
Avg Surface Area	30 sq in

Pressure Drop



Dimensions



THIS PRODUCT MAY BE USED SOLELY ON VEHICLES USED IN SANCTIONED COMPETITION WHICH MAY NEVER BE USED UPON A PUBLIC ROAD OR HIGHWAY, UNLESS PERMITTED BY SPECIFIC REGULATORY EXEMPTION